

Voici les messages suites au démarrage de scilab puis le lancement de la simulation de la démo xcos\application électrique \RLC qui ne fonctionne pas.

La version de windows est XP SP3.

La version de scilab est 5.4.1

Le compilateur est bien présent LCCwin32 (détecté comme True suite à la commande "haveacompile")

### Messages dans la console:

Initialisation :

Chargement de l'environnement de travail

Start COSELICA module

Load macros

Load palette: Coselica - Blocks

Load palette: Coselica - Electrical

Load palette: Coselica - Heat transfer

Load palette: Coselica - Mechanics/Translational

Load palette: Coselica - Mechanics/Rotational

Load palette: Coselica - Mechanics/Planar

Load palette: Coselica - Components

Load help

Load demos

Load Modelica Equations

Coselica Version: 0.6.3

Start CPGE - Xcos toolbox

Load macros

Load palette - CPGE - Standard blocks

Load help

Load demos

CPGE Version: 1.5.2

Start SIMM toolbox

Load macros

Load palette: SIMM - Utilitaires

Load palette: SIMM - Composants

Load palette: SIMM - Signaux

Load palette: SIMM - Electrique

Load palette: SIMM - Mecanique

Load palette: SIMM - Thermique

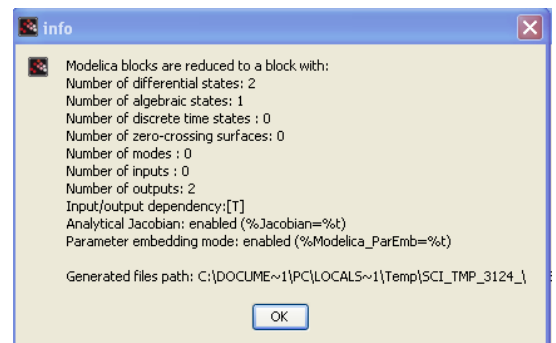
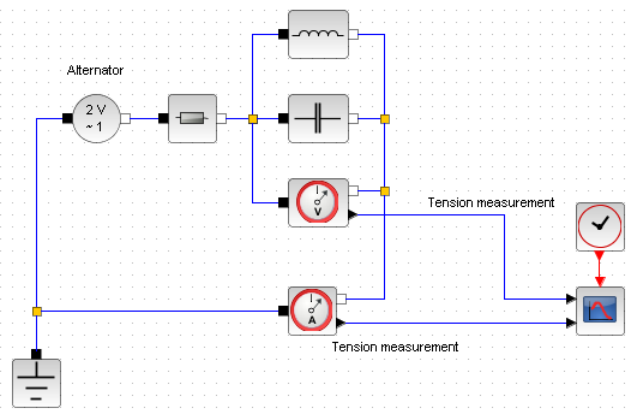
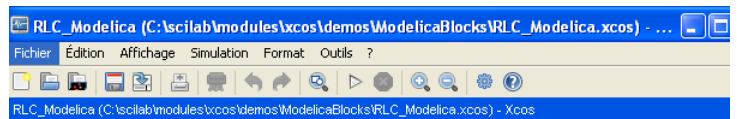
Load demos

SIMM Version: 0.4

Start LCC-Win Compiler support

Load macros

Load help



-----\

Main Modelica :

C:\DOCUME~1\PC\LOCALS~1\Temp\SCI\_TMP\_3124\_\RLC\_Modelica\_im.mo

Flat Modelica :

C:\DOCUME~1\PC\LOCALS~1\Temp\SCI\_TMP\_3124\_\RLC\_Modelica\_imf.mo

Simulation C code : C:\DOCUME~1\PC\LOCALS~1\Temp\SCI\_TMP\_3124\_\RLC\_Modelica\_im.c

Génère un fichier loader

Génère un Makefile

Exécute le Makefile

Compilation de RLC\_Modelica\_im.obj

Construit une bibliothèque partagée (Veuillez patienter)

```
!Impossible de trouver C:\DOCUME~1\PC\LOCALS~1\Temp\S!  
! CI_TMP_3124_*.bak !  
!  
!Impossible de trouver C:\DOCUME~1\PC\LOCALS~1\Temp\S!  
! CI_TMP_3124_*.obj !  
!  
!Impossible de trouver C:\DOCUME~1\PC\LOCALS~1\Temp\S!  
! CI_TMP_3124_*.dll !  
!  
!Impossible de trouver C:\DOCUME~1\PC\LOCALS~1\Temp\S!  
! CI_TMP_3124_*.lib !  
!  
!Impossible de trouver C:\DOCUME~1\PC\LOCALS~1\Temp\S!  
! CI_TMP_3124_*.def !  
!  
!----- Compile file RLC_Modelica_im.c -----!  
! ----- !  
!  
! del *.bak !  
!  
! del *.obj !  
!  
! del *.dll !  
!  
! del *.lib !  
!  
! del *.def !  
!  
! lcc msvcr.lib -DWIN32 -D_MSC_VER -DSTRICT -DFOR!  
! DLL -D__STDC__ -DHAVE_EXP10 -I"C:/scilab/libs/M!  
! ALLOC\includes" -I"C:/scilab/modules/core/incl!  
! udes" -I"C:/scilab/modules/api_scilab/includes!  
! " -I"C:/scilab/modules/call_scilab/includes" !  
! -I"C:/scilab/modules/output_stream/includes" -!  
! I"C:/scilab/modules/jvm/includes" -I"C:/scilab!  
! \modules/localization/includes" -I"C:/scilab/m!  
! odules/dynamic_link/includes" -I"C:/scilab/mod!  
! ules/mexlib/Warning rlc_modelica_im.c: 29 inco!  
! nsistent linkage for 'ipow' previously declared!  
! at c:\scilab\lcc\include\tgmath.h 132 !  
!  
!Warning rlc_modelica_im.c: 61 Missing prototype for!  
! 'get_scicos_time' !  
!  
!Warning rlc_modelica_im.c: 65 Missing prototype for!  
! 'get_phase_simulation' !  
!  
!0 errors, 3 warnings !  
!  
!includes" -I"C:/scilab/modules/time/includes" -I"C!  
! :/scilab/modules/windows_tools/includes" -I"C:!  
! /scilab/libs/f2c" -I"C:/scilab/libs/hashtable"!  
! -I"C:/scilab/libs/intl" -I"C:/scilab/module!  
! s/scicos/includes" -I"C:/scilab/modules/scicos_!  
! blocks/includes" RLC_Modelica_im.c !  
!  
! "C:\scilab\bin\dumpexpts" -o "libRLC_Modelica_im.!  
! def" "libRLC_Modelica_im" RLC_Modelica_im.obj !  
!  
! lclnk -dll -nounderscores RLC_Modelica_im.obj !
```

```

! "C:\DOCUME~1\PC\APPLIC~1\Scilab\scilab-5.4.1\l
! cclib\MALLOC.lib" "C:\DOCUME~1\PC\APPLIC~1\Scil
! ab\scilab-5.4.1\lclib\blasplus.lib" "C:\DOCUM
! E~1\PC\APPLIC~1\Scilab\scilab-5.4.1\lclib\libf
! 2c.lib" "C:\DOCUME~1\PC\APPLIC~1\Scilab\scilab-
! 5.4.1\lclib\lapack.lib" "C:\DOCUME~1\PC\APPLI
! C~1\Scilab\scilab-5.4.1\lclib\core.lib" "C:\DO
! CUME~1\PC\APPLIC~1\Scilab\scilab-5.4.1\lclib\c
! ore_f.lib" "C:\DOCUME~1\PC\APPLIC~1\Scilab\sci
! lab-5.4.1\lclib\scicos.lib" "C:\DOCUME~1\PC\AP
! PLIC~1\Scilab\scilab-5.4.1\lclib\intersci.lib"!
! "C:\DOCUME~1\PC\APPLIC~1\Scilab\scilab-5.4.1\
! lclib\output_stream.lib" "C:\DOCUME~1\PC\APPLI
! C~1\Scilab\scilab-5.4.1\lclib\dynamic_link.lib!
! " "C:\DOCUME~1\PC\APPLIC~1\Scilab\scilab-5.4.1\
! \lclib\integer.lib" "C:\DOCUME~1\PC\APPLIC~1\S
! cilab\scilab-5.4.1\lclib\optimization_f.lib" !
! "C:\DOCUME~1\PC\APPLIC~1\Scilab\scilab-5.4.1\lc
! clib\libjvm.lib" "C:\DOCUME~1\PC\APPLIC~1\Scila
! b\scilab-5.4.1\lclib\scilocalization.lib" "C:
! \DOCUME~1\PC\APPLIC~1\Scilab\scilab-5.4.1\lcli
! b\libintl.lib" "C:\DOCUME~1\PC\APPLIC~1\Scilab\
! scilab-5.4.1\lclib\linpack_f.lib" "C:\DOCUME~
! 1\PC\APPLIC~1\Scilab\scilab-5.4.1\lclib\call_s
! cilab.lib" "C:\DOCUME~1\PC\APPLIC~1\Scilab\scil
! ab-5.4.1\lclib\time.lib" "C:\DOCUME~1\PC\APPL
! IC~1\Scilab\scilab-5.4.1\lclib\api_scilab.lib"!
! "C:\DOCUME~1\PC\APPLIC~1\Scilab\scilab-5.4.1\
! lclib\scilab_windows.lib" "C:\DOCUME~1\PC\APP
! LIC~1\Scilab\scilab-5.4.1\lclib\scicos_f.lib" !
! "C:\DOCUME~1\PC\APPLIC~1\Scilab\scilab-5.4.1\lc
! clib\scicos_blocks.lib" "C:\DOCUME~1\PC\APPLIC
! ~1\Scilab\scilab-5.4.1\lclib\scicos_blocks_f.l
! ib" "C:\DOCUME~1\PC\APPLIC~1\Scilab\scilab-5.
! 4.1\lclib\scicos.lib" c:\scilab\lce\lib\libert
! 0.obj .text: undefined reference to '_RtlUnwind
! @16'
!
!
!c:\scilab\lce\lib\libert0.obj .text: undefined refer
! ence to '_raise'
!
!
!c:\scilab\lce\lib\libert0.obj .text: undefined refer
! ence to '_open_osfhandle'
!
!
!c:\scilab\lce\lib\libert0.obj .text: undefined refer
! ence to '_setbuf'
!
!
!c:\scilab\lce\lib\libert0.obj .text: undefined refer
! ence to '_malloc'
!
!
!"C:\DOCUME~1\PC\APPLIC~1\Scilab\scilab-5.4.1\lclib\
! scicos_f.lib" "C:\DOCUME~1\PC\APPLIC~1\Scilab\s
! cilab-5.4.1\lclib\scicos_blocks.lib" "C:\DOCUM
! E~1\PC\APPLIC~1\Scilab\scilab-5.4.1\lclib\scic
! os_blocks_f.lib" libRLC_Modelica_im.def -o libR
! LC_Modelica_im.dll
!
!
!make: Error code 9
!
!make: 'libRLC_Modelica_im.dll' removed.
!
!sorry compiling problem
!

```

```
!                                     !
!lib_compile : Erreur à l'exécution de Makelib.lcc!
! .                                     !
c_pass1: build the modelica meta-block failed

xcos_simulate : Erreur à la mise à jour des paramÃ
tres de bloc.
```